

# DATA SHEET: SMD HT ALU 2



Series Name:  
**ECO Led SMD ALU**

**Product Description:**



1. **ECOLED SMD HT ALU:** Beam Characteristic 160°, High Brightness, IP67 housing with very good dissipation;
2. Current control to stabilise luminous flux;
3. Incredible price/quality ratio;
4. Energy saving, environment-friendly, long life-time if installed properly;
5. Ideal for backlighting channel letters and light boxes of medium and small size;
6. Easy to install with premounted double-sided adhesive tape and fixing screw;
7. Minimum depth sign: 8 cm.



**Specific Technical Data:**

Article Code	Colour
LOEFNW2ALU	White DL
LOEFNW2ALU	White WW
LOEFNW2ALU	White NW
LOEFNR2ALU	Red
LOEFNB2ALU	Blue
LOEFNG2ALU	Green
LOEFNY2ALU	Yellow

LED Type: LED 2835 SMD  
 Available Colours: White DL/White WW/White NW/R/B/G/Y  
 Beam Characteristic: 160°

Luminous flux per module

White DL	White WW	White NW	Red	Blue	Green	Yellow
45	45	45	12	7	24	10

Colour Temperature

White DL	White WW	White NW	Red	Blue	Green	Yellow
6000-7000° K	2700-3500° K	3700-4500° K	620-630 nm	460-470 nm	520-530 nm	588-594 nm



LED per module: 2 LED  
 \*\* Life-time: 50.000 hours  
 \*\* Warranty: 3 Years



**Electrical Parameters:**

Supply Voltage: DC12V  
 Power per module: 0,48W  
 Supply Method: Constant Current



**Cables and Connection circuits:**

Wires: White/Red=positive, White=negative  
 Standard Length of Serial Connection: 50 Modules

**Physical Characteristics:**

Shell: ABS  
 Dimension: 40 x 15 x 6,4 mm

**Fixing Method:**

Screw:  $\varnothing$  2.6 ----  $\varnothing$  3.0  
 Double Sided Tape: Premounted

**Environmental Parameters:**

Ambient Temperature: -25°C / +60°C  
 Storage Temperature: -25°C / +60°C  
 IP Rating: IP67

# DATA SHEET: SMD HT ALU 2

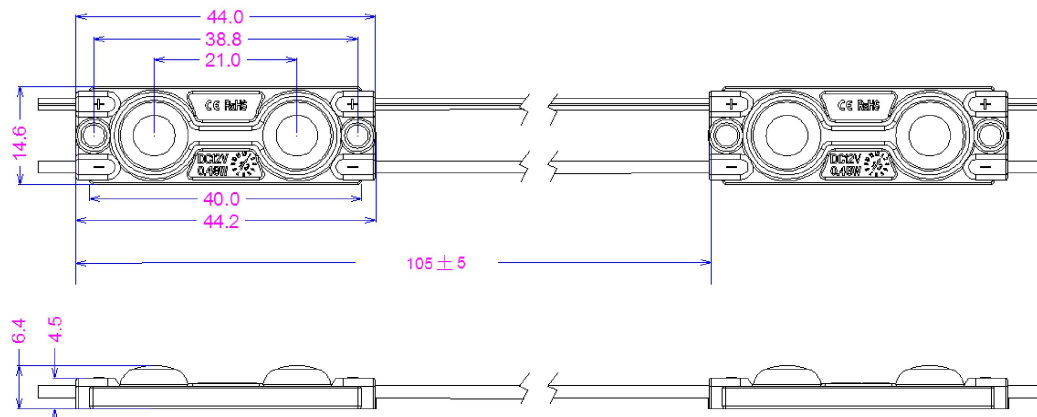


Series Name:  
**ECO Led SMD ALU**

Product Description:



## Dimensions (mm):



## Notes:

1. Wire thickness should be chosen according to current, power, length of wire extension (max. 5 meters) and leakage;
  2. Both ends of the extension should be waterproof;
  3. Do not work on ECOLED products in electrostatic or electrified environments;
  4. Maximum 50 pieces connected, do not exceed;
  5. Use only high quality power suppliers (with protection against blackouts, overvoltage and overloading);
  6. Use waterproof connectors made for low voltage connections;
  7. Do not exceed 10/12 hours of working cycle.
- \*\* See point 3: "Warranty terms and conditions".  
\*\* Warranty: complete text available on demand.  
Country of origin [COO]: China.

## CMN GROUP S.r.l.

Sede di Treviso - 31030 Vacil di Breda di Piave - Via delle Industrie, 1  
tel. 0422 632111 - fax 0422 632100 e-mail: [cmn@cmngroup.eu](mailto:cmn@cmngroup.eu) [www.cmngroup.eu](http://www.cmngroup.eu)